



# OVENindustries

## ELECTRONIC CONTROL SOLUTIONS

### 5R1-1400 AC CONTROLLER

Set in the field with the integrated potentiometers or via a PC through the TTL level UART Communication port. The temperature may also be set with optional remote potentiometer. This **compact design** measuring two and one half inches square can deliver over 15 AMPS of load current via an **onboard 25A triac**. Operator safety is achieved with one thousand kilovolts of power isolation from the communication port and sensor input.

#### FEATURES

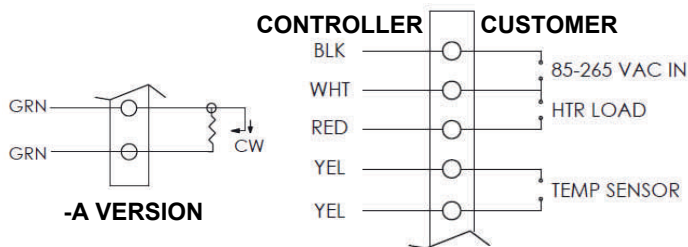
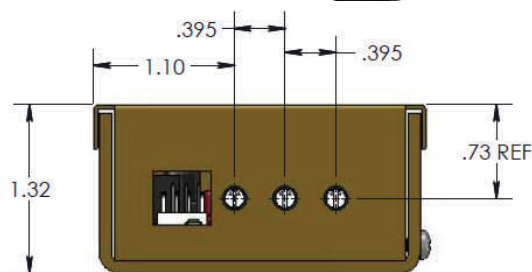
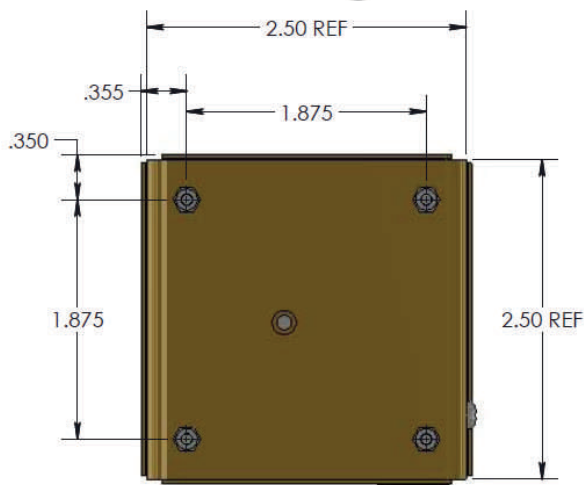
- Universal AC Input
- Set with integrated Temperature, Integral, Derivative potentiometers or via PC operator GUI
- PC Programmable
- TTL level UART Communication Port
- Set temp range determined by thermistor type
- Open Circuit Protection
- RoHS Compliant

#### SPECIFICATIONS

- Input Voltage: 85 to 265VAC 50/60Hz
- Com. Port and Sensor Isolation: 1000VAC
- Load Current: 15A max (Via onboard triac)
- Temperature Resolution: 0.1°C
- **Adjustable PID Parameters**
- Ambient Temperature Operation: -20° to 70°C
- 1.32" High x 2.5" Square
- Customer Drawing: CDR-00374



RoHS

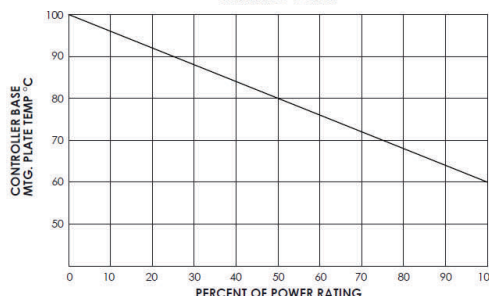


#### ACCESSORIES

- -FL to add flange
- -A to add external temperature potentiometer
- Sensor Selection:
 

TR67	(15K)	-20 to 110°C
TR91	(10K)	-40 to 150°C
TR104	(50K)	0 to 150°C
TR136	(15K)	-20 to 110°C
TR165	(231.5K)	25 to 250°C

DERATING CURVE



CONTACT US AT **877-766-OVEN** FOR DETAILED DRAWINGS AND PRICING OR VISIT **WWW.OVENIND.COM**